

# DOH

HEAVY DUTY SLURRY PUMP



  
DO PUMP



do®

道洋工業  
PUMP

## Product Description

The frame plates for type DOH pumps have replaceable wear-resistant metal liners. The impellers are made of wear-resistant metal. The frame plate liner and impeller for DOH pump are adoptable of hard metal only.

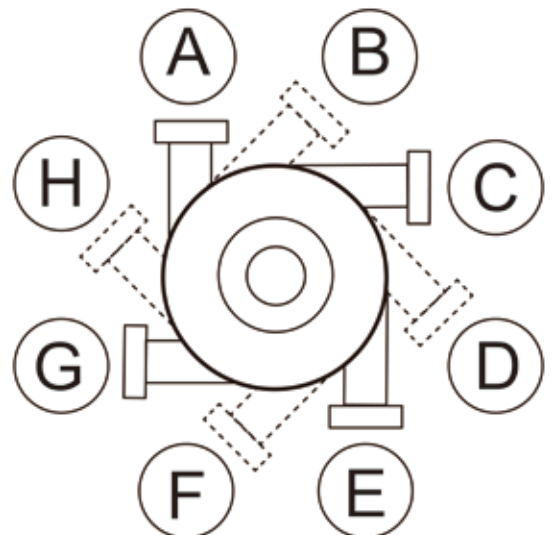
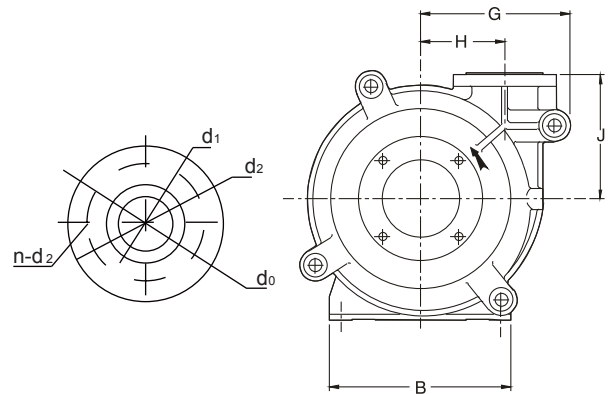
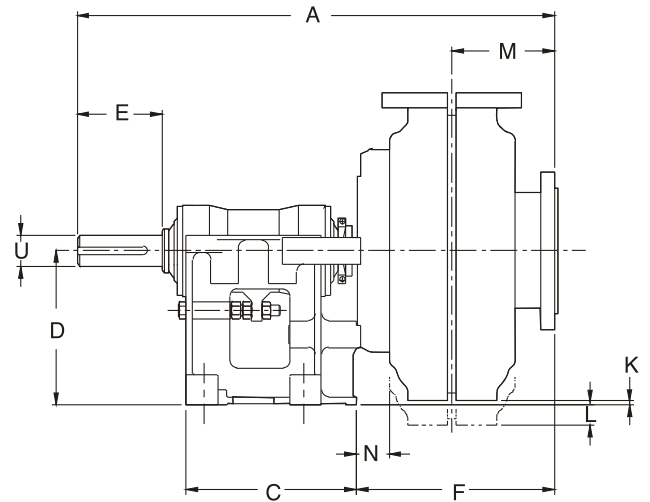
Bearing assembly use cylindrical structure, adjusting the space between impeller and front liner easily, being removed completely when being repaired. Bearing assembly use grease lubrication.

The shaft seal could use the packing seal, expeller seal and mechanical seal. The discharge branch can be positioned at intervals of 45 degrees by request and oriented to any eight positions to suit installations and applications.

Here are the drive types, such as V belt drive, gear reducer drive, fluid coupling drive, and frequency conversion drive devices.

Wide performance, good NPSH and high efficiency. The pump of this type may be installed in multistage series to meet the delivery for long distance.

## Outline Drawing



# Structural Drawing Of DOH Slurry Pump

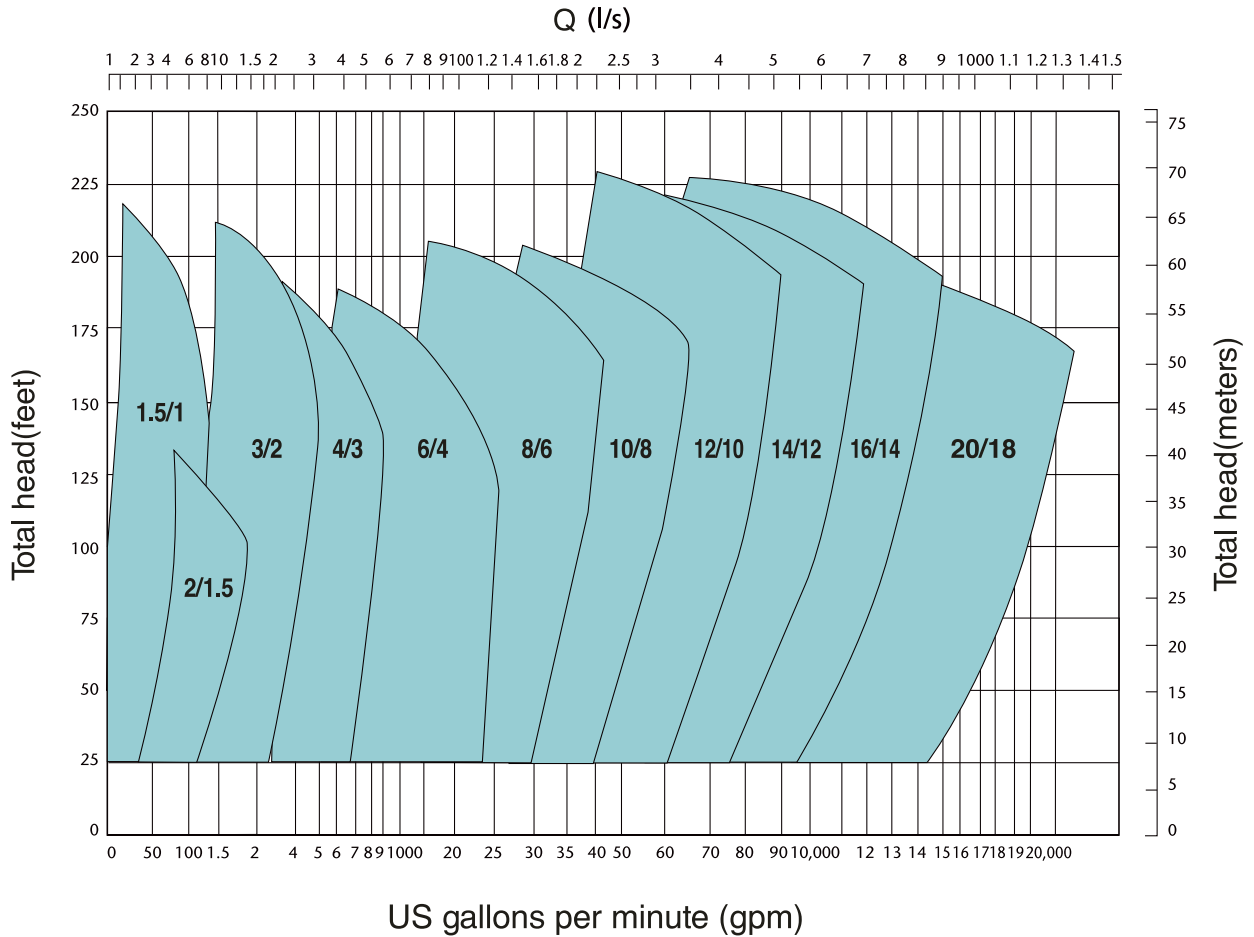
Performance Chart												
Type	Allowable Max.power P (KW)	Clear Water Performance					Impeller		Weight (kg)	Overall Dimensions (mm)	Dia.of pump (mm)	
		Capacity Q m <sup>3</sup> /h	Head H (m)	Speed N (r/min)	Top Efficiency η%	NPSH (m)	Impeller Diameter D(mm)	Inlet			Outlet	
1.5/1B-DOH	15	12.6-28.8	6-68	1200-3800	40	2-4	152	91	583×362×368	38	25	
2/1.5B-DOH	15	32.4-72	6-58	1200-3200	45	3.5-8	184	104	592×410×381	51	38	
3/2C-DOH	30	39.6-86.4	12-64	1300-2700	55	4-6	214	191	768×476×464	76	51	
4/3C-DOH	30	86.4-198	9-52	1000-2200	71	4-6	245	263	843×584×516	102	76	
4/3D-DOH	60	86.4-198	9-52	1000-2200	71	4-6	245	363	943×584×592	102	76	
6/4D-DOH	60	162-360	12-56	800-1550	65	5-8	365	626	1021×812×668	152	102	
6/4E-DOH	120	162-360	12-56	800-1550	65	5-8	365	728	1178×812×795	152	102	
8/6E-DOH	120	360-828	10-61	500-1140	72	2-9	510	1473	1302×1102×917	203	152	
8/6R-DOH	300	360-828	10-61	500-1140	71	2-9	510	1655	1360×1102×810	203	152	
10/8ST-DOH	560	612-1368	11-61	400-850	71	4-10	686	3750	1748×1346×1258	254	203	
12/10ST-DOH	560	936-1980	7-68	300-800	82	6	762	4318	1816×1510×1324	305	254	
14/12ST-DOH	560	1260-2772	13-63	300-600	77	3-10	965	6409	1816×1510×1325	356	305	
16/14TU-DOH	1200	1368-3060	11-63	250-550	79	4-10	1067	10000	2320×1680×1875	406	356	

DO <sup>®</sup> AH pump dimensions																												
Type	A	B	C	D	U	E	F	G	H	J	K	L	M	N	V	T	S	n-d	Suction Flange				Discharge Flange				Pump weight	
																			D <sub>0</sub>	D <sub>1</sub>	D <sub>2</sub>	n-d <sub>1</sub>	d <sub>0</sub>	d <sub>1</sub>	d <sub>2</sub>	nd <sub>2</sub>	Metal	Rubber
1.5/1B-DOH	583	295	248	197	28	79	206	181	98	171	46	-	143	254	181	38	24	4-14	152	38	114	4-16	165	25	127	416	91	77
2/1.5B-DOH	592	295	248	197	28	79	217	205	114	184	33	-	143	254	184	38	24	4-14	184	51	146	4-19	165	38	127	419	104	118
3/2C-DOH	768	406	311	254	42	121	281	238	138	210	71	-	175	356	233	48	32	4-19	216	76	178	4-19	184	51	146	419	191	154
4/3C-DOH	843	406	311	254	42	121	354	292	149	262	24	-	175	356	270	48	32	4-19	279	102	235	4-22	229	76	191	422	263	236
4/3D-DOH	943	492	364	330	65	164	353	292	149	262	100	-	213	432	279	64	38	4-22	279	102	235	4-22	229	76	191	422	363	290
6/4D-DOH	1021	492	364	330	65	164	421	406	229	338	11	-	213	432	318	64	38	4-22	337	152	292	4-22	279	102	235	422	626	454
6/4E-DOH	1178	622	448	457	80	222	433	406	229	338	138	-	257	546	351	76	54	4-29	337	152	292	4-22	279	102	235	422	728	635
8/6E-DOH	1302	622	448	457	80	222	557	551	318	460	-	62	257	546	402	76	54	4-29	406	203	356	8-22	368	152	324	821	1473	982
8/6R-DOH	1360	680	590	350	85	215	-	511	318	460	-	170	490	560	312	70	50	4-28	406	203	356	8-22	368	152	324	822	1655	-
10/8E-DOH	1337	622	448	457	80	222	584	613	381	470	-	83	257	546	403	76	54	4-29	502	254	445	8-29	432	203	375	829	1625	1202
10/8R-DOH	1395	680	590	350	85	215	-	613	381	470	-	190	490	560	314	70	50	4-28	502	254	445	8-29	432	203	375	829	1836	-
10/8ST-DOH	1748	1150	780	650	120	280	692	673	419	635	27	-	620	900	439	125	80	4-48	502	254	445	8-29	432	203	375	829	3750	3130
12/10ST-DOH	1816	1150	780	650	120	280	762	755	464	674	-	65	620	900	461	125	80	4-48	527	305	470	8-25	527	254	470	1225	4318	3357
14/12ST-DOH	1873	1150	780	650	120	280	812	937	629	832	-	224	620	900	486	125	80	4-48	585	356	521	12-25	552	305	495	1225	6490	4672
16/14U-DOH	2320	1460	1050	900	150	350	953	1048	660	889	-	84	860	1200	597	150	95	4-79	705	406	641	8-35	673	356	610	1229	10000	-

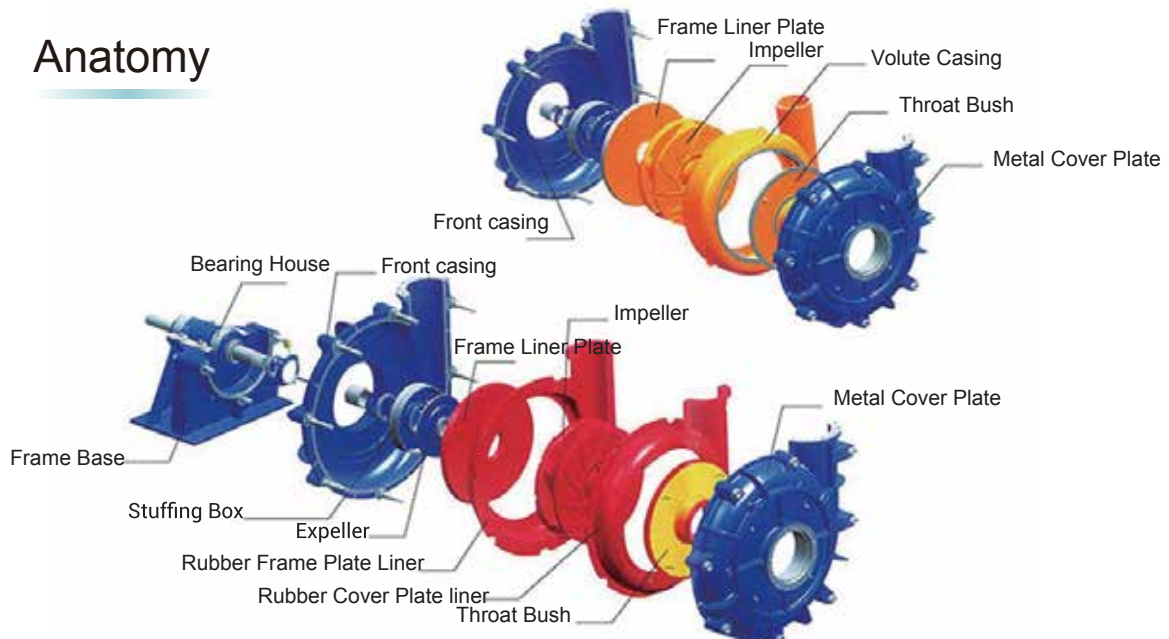
Note: U dimensions and key sizes are in millimeters. All others are in inches.

# DOH Heavy Duty Slurry Pump Range

DO<sup>®</sup> DOH Heavy Duty Slurry Pump - Quick selection chart  
 Approximate clear water performance - to be used for preliminary selection only



## Anatomy



## Applications

- Fine tailings
- Flotation
- Heavy media
- Rod mill discharge
- SAG mill discharge
- Wet crusher
- FGD
- Pulp and paper
- Ball mill discharge
- Bottom/fly ash,
- lime grinding Coal
- Coarse sand
- Coarse tailings
- Dredging
- Minerals concentrate
- Mineral sands



## Product Features

- Wear resistant metal or rubber wet end parts, long service life
- Wide options for impeller
- Various types of pump seals to suit different working conditions
- Grease or oil lubrication
- Discharge branch can be positioned at intervals of 45 degrees
- Can be installed in multistage series
- Easy to maintain



Shijiazhuang Distant Ocean Industrial Pump Co., Ltd.

Xinhe Street, Xingtang Industrial  
Zone, Shijiazhuang, Hebei, China

Tel : 0086-311-69010137  
0086-311-69010138  
Fax: 0086-311-89182521  
E-mail: [info@dopumpgroup.com](mailto:info@dopumpgroup.com)

